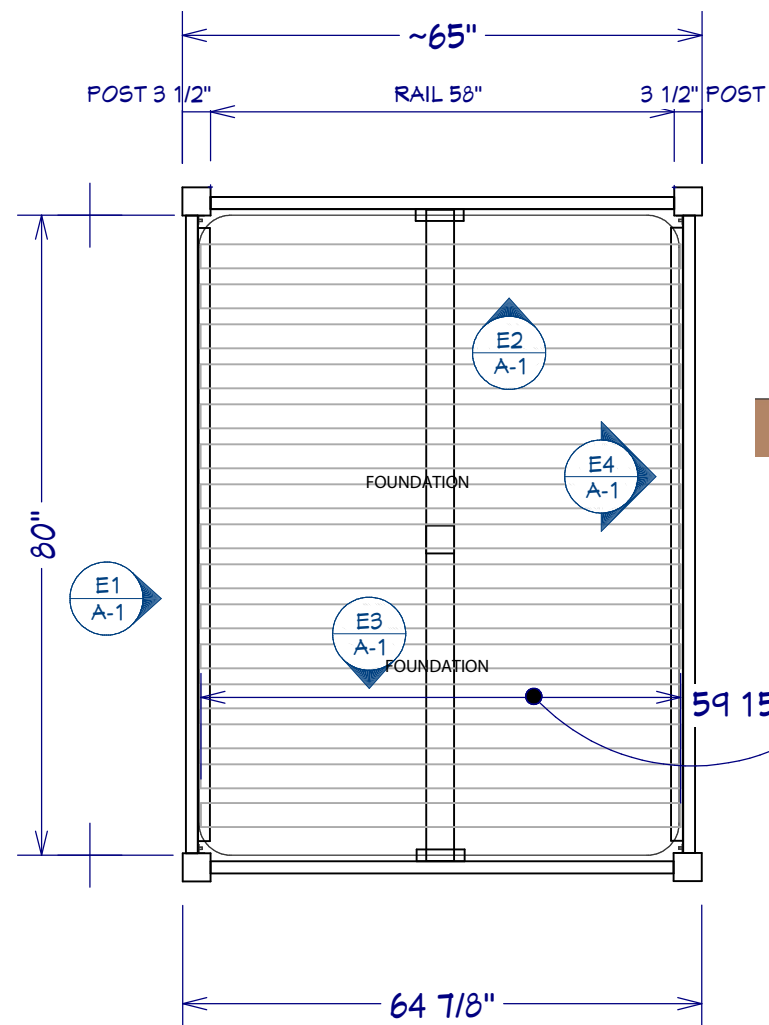
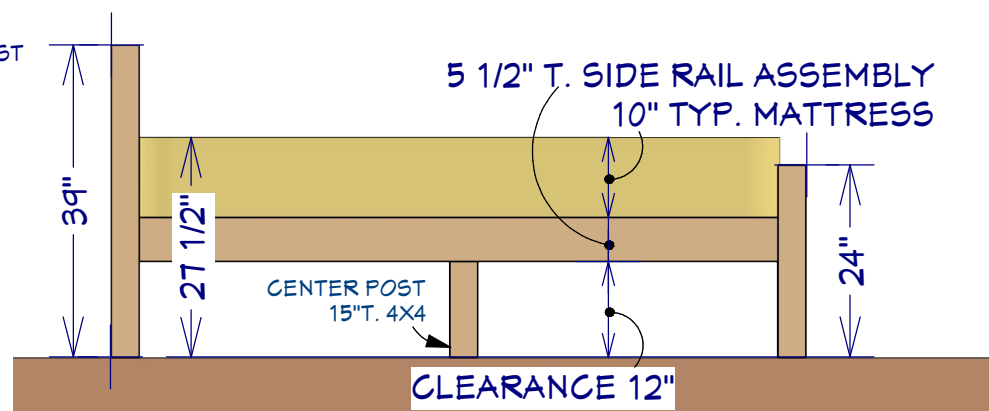


QUEEN BED

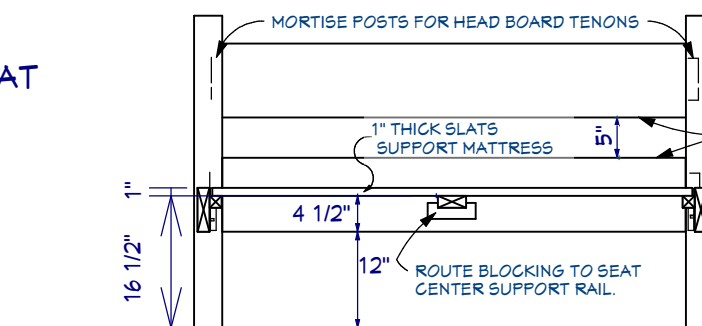
SEE SHEET NUMBER 3 FOR MATERIAL QUANTITY



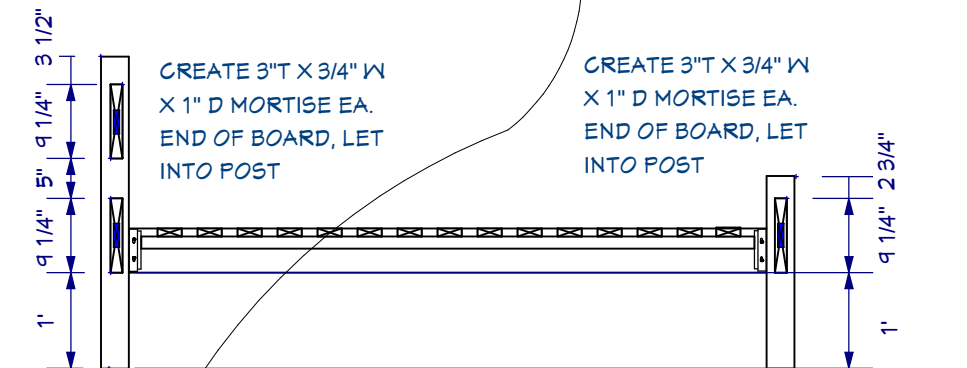
QUEEN PLAN VIEW
1/2 in = 1 ft



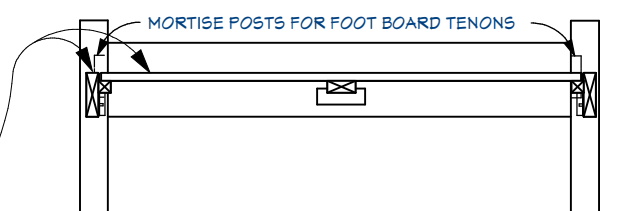
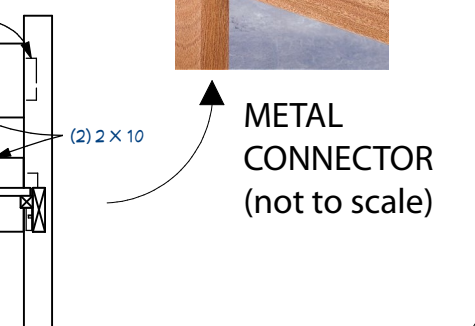
E1 SIDE ELEVATION
1/2 in = 1 ft



E2 QUEEN HEADBOARD
1/2 in = 1 ft



E4 CROSS SECTION
1/2 in = 1 ft



E3 QUEEN FOOTBOARD
1/2 in = 1 ft

INTENT: THE TOP OF SIDE RAILS AND TOP OF SUPPORT SLATS TO BE FLUSH, IN ORDER TO ACCOMMODATE SIZE VARIATIONS IN STANDARD MATTRESSES.

Designed by:
DESIGN DEPARTMENT
360-746-1296 - MAGGIE@a1designbuild.coop
A1DesignBuild
3310 Northwest Avenue
Bellingham WA 98225

Client:
A1DESIGNBUILD BED PROJECT
3310 NORTHWEST AVE.
Bellingham WA 98225
ph:
e:

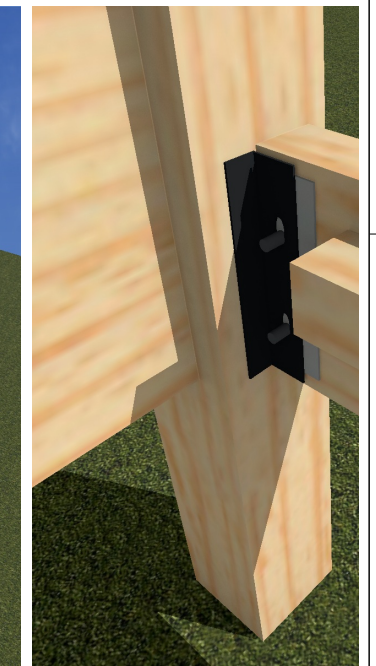
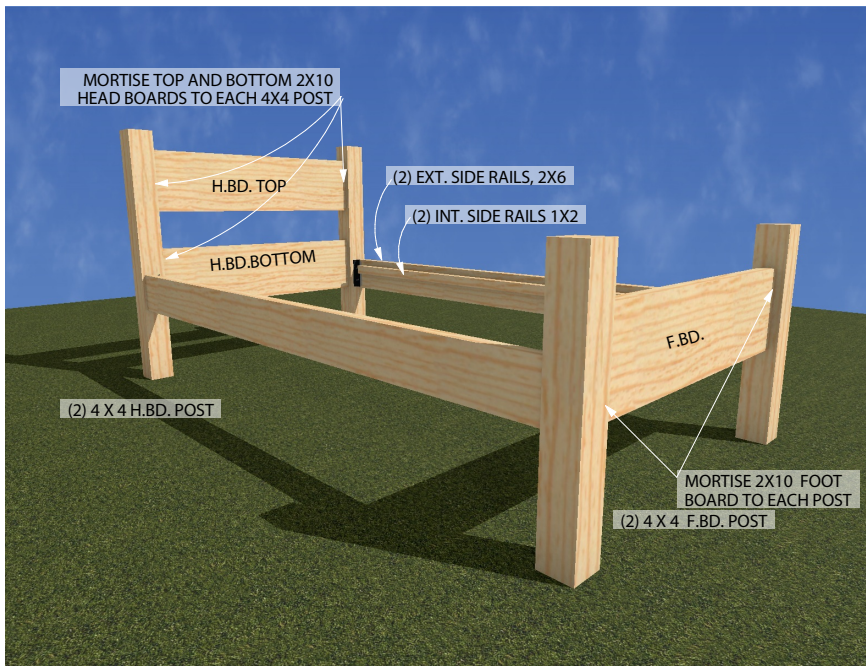
Sheet Title
QUEEN BED

Prepared by:
DESIGN DEPARTMENT

Date:
4/13/2022

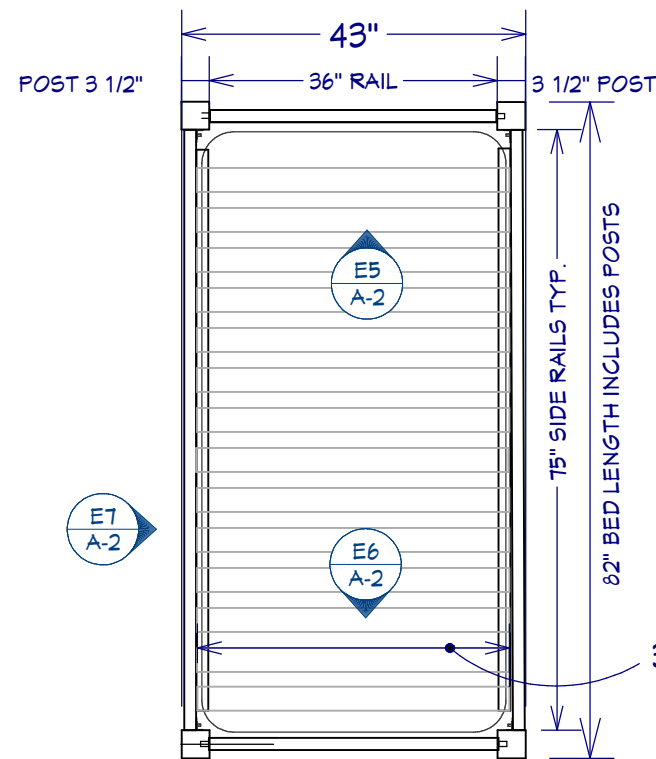
Scale:
as noted

Sheet:
1

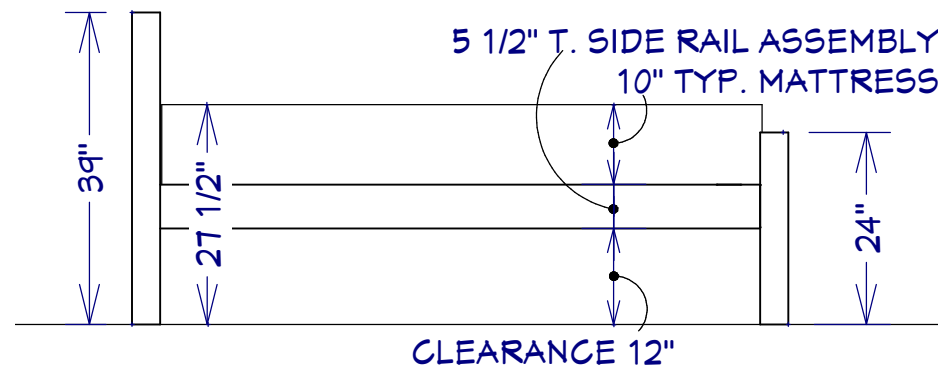


TWIN BED

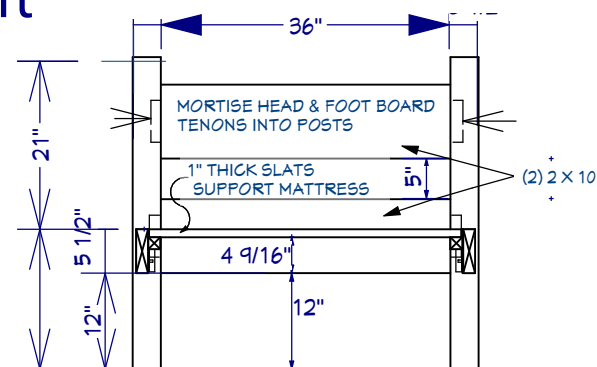
SEE SHEET NUMBER 3 FOR MATERIAL QUANTITY



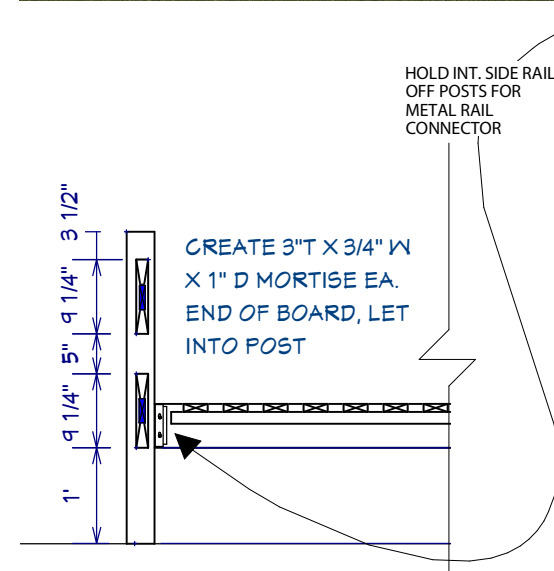
TWIN BED PLAN VIEW
1/2 in = 1 ft



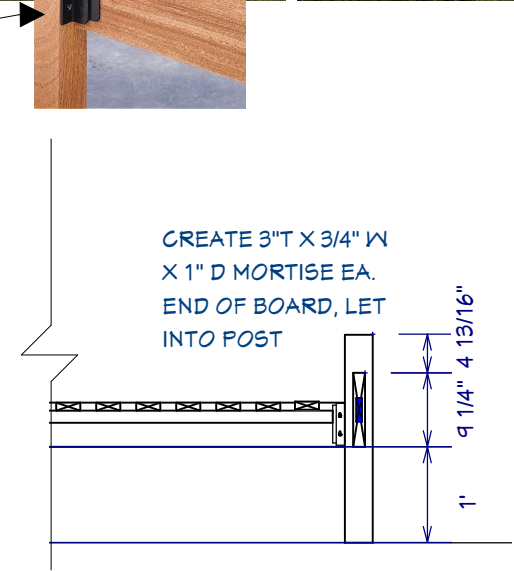
E7 TWIN SIDE ELEVATION
1/2 in = 1 ft



E5 TWIN HEADBOARD ELEVATION
1/2 in = 1 ft

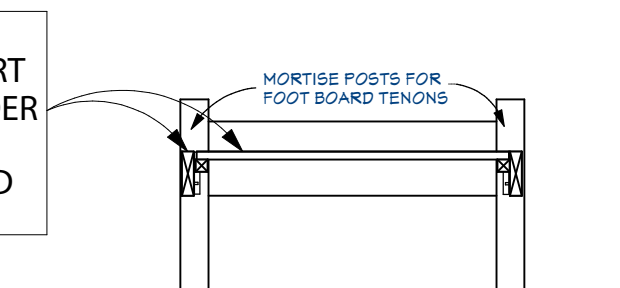


HEADBOARD ASSEMBLY 1/2 in = 1 ft



FOOTBOARD ASSEMBLY 1/2 in = 1 ft

INTENT: THE TOP OF SIDE RAILS AND TOP OF SUPPORT SLATS TO BE FLUSH, IN ORDER TO ACCOMMODATE SIZE VARIATIONS IN STANDARD MATTRESSES.



E6 TWIN FOOTBOARD ELEVATION
1/2 in = 1 ft

Designed by:
DESIGN DEPARTMENT
360-746-1296 - MAGGIE@a1designbuild.coop
A1DesignBuild
3310 Northwest Avenue
Bellingham WA 98225

Client:
A1DESIGNBUILD BED PROJECT
3310 NORTHWEST AVE.
Bellingham WA 98225
ph:
e:

Sheet Title
TWIN BED

Prepared by:
DESIGN DEPARTMENT

Date:
4/13/2022

Scale:
as noted

Sheet:
2

QUEEN BED PARTS	LENGTH	QTY	NOTES
HEAD & FOOT BOARDS- 2 X 10	60	3	THIS LENGTH INCLUDES 1" EXTRA ON EA. END FOR TENON/MORTISE CUTS. 2 BOARDS AT HEAD, 1 BOARD AT FOOT
HEAD POSTS 4 X 4	39"	2	LET IN HEAD BOARDS, USE MECHANICAL FASTENERS TO SIDE RAILS
FOOT POSTS 4 X 4	24"	2	LET IN FOOT BOARD, USE MECHANICAL FASTENERS TO SIDE RAILS
CENTER POST 4 X 4	15"	1	
CENTER SUPPORT 2 X 4	82"		INSTALL FLAT(SLEEPING), SCREW TO CENTER POST AND BLOCKING AT EA. END, TRIM ENDS TO FIT
BLOCKING AT HD AND FT BOARDS 1 X 2	6" LONG	2	ROUTER FOR SUPPORT, SCREW BLOCKING TO HD AND FT BOARD
SIDE RAIL INTERIOR 1 X 2	78"	2	Trim to allow hardware install on exterior rail, option to attach strip of Velcro end to end, top to grab slats.
SIDE RAIL EXTERIOR 2 X 6	80"	2	Attach hardware to these board and posts
ROLLOUT BED SLATS, APPROX. 60" W X 78" LONG ASSEMBLY (1 X 3'S & FABRIC STRAP)			If handmade, Velcro option on bottom end of each board

TWIN BED PARTS	LENGTH	QTY	NOTES
HEAD & FOOT BOARDS- 2 X 10	38"	3	THIS LENGTH INCLUDES 1" EXTRA ON EA. END FOR TENON/MORTISE CUTS. 2 BOARDS AT HEAD, 1 BOARD AT FOOT
HEAD POSTS 4 X 4	39"	2	LET IN HEAD BOARDS, USE MECHANICAL FASTENERS TO SIDE RAILS
FOOT POSTS 4 X 4	24"	2	LET IN FOOT BOARD, USE MECHANICAL FASTENERS TO SIDE RAILS
SIDE RAIL INTERIOR 1 X 2	73"	2	Trim to allow hardware install on exterior rail, option to attach strip of Velcro end to end, top to grab slats.
SIDE RAIL EXTERIOR 2 X 6	75"	2	Attach hardware to these board and posts
ROLLOUT BED SLATS, APPROX. 39" W X 75" LONG ASSEMBLY (1 X 3'S & FABRIC STRAP)			If handmade, Velcro option on bottom end of each board

Designed by:
DESIGN DEPARTMENT
360-746-1296 - MAGGIE@a1designbuild.coop
A1DesignBuild
3310 Northwest Avenue
Bellingham WA 98225

Client:
A1DESIGNBUILD BED PROJECT
3310 NORTHWEST AVE.
Bellingham WA 98225
ph:
e:

Sheet Title
**Foundation Plan: As-Built &
Proposed**

Prepared by:
DESIGN DEPARTMENT

Date:
4/13/2022

Scale:
as noted

Sheet:

3