

### DESK A1



### DESK A2



ALL COMPONENTS MADE FROM 3/4" HARDWOOD (MAPLE)  
 VENEER PLYWOOD, SANDED & EXPOSED EDGES EASED.  
 SEE A1DESIGNBUILD'S BLOG FOR FASTENING REQUIREMENTS

#### DESK A1 COMPONENTS

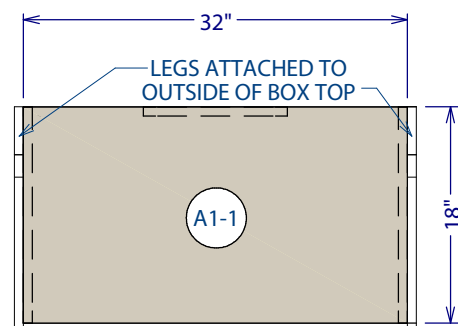
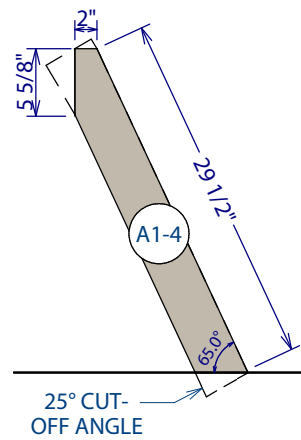
A1-1	BOX TOP & BOTTOM 32" x 18"	QTY: 2
A1-2	BOX TOP SIDES 4" x 18"	QTY: 2
A1-3	VERTICAL LEG 4" x 27"	QTY: 2
A1-4	DIAGONAL LEG 4" x 29.5"	QTY: 2
A1-5	REAR BOX BRACE 4" x 12"	QTY: 1
A1-6	REAR STRETCHER 4" x 32"	QTY: 1

#### DESK A2 COMPONENTS

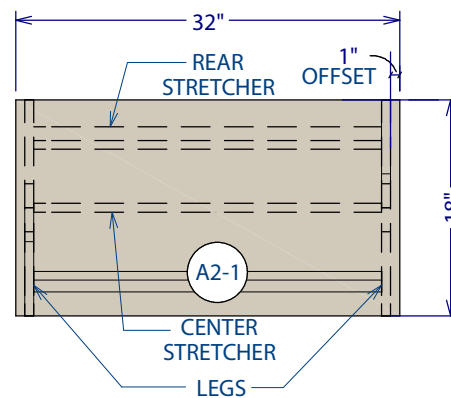
A2-1	TOP 32" x 18"	QTY: 1
A2-2	CENTER STRETCHER 4" x 29"	QTY: 1
A2-3	REAR STRETCHER 4" x 29"	QTY: 1
A2-4	LEG 4" x 25-7/8", MODIFIED	QTY: 2
A2-5	LEG 4" x 28-7/8", MODIFIED	QTY: 2

#### CHAIR COMPONENTS

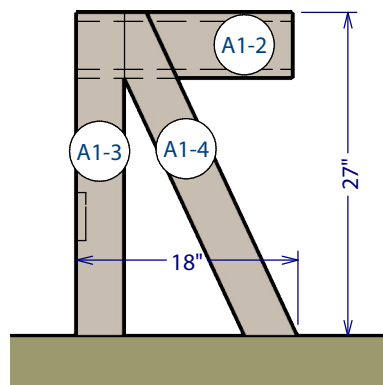
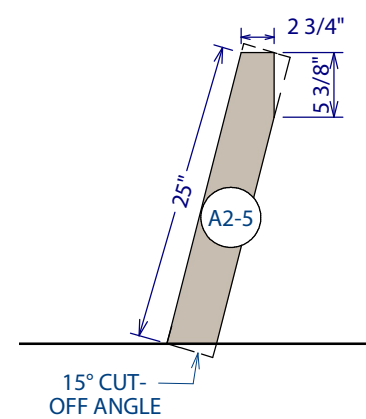
C-1	SEAT 12" x 12"	QTY: 1
C-2	BACK 12" x 31.25"	QTY: 1
C-3	SIDE 12" x 17"	QTY: 2



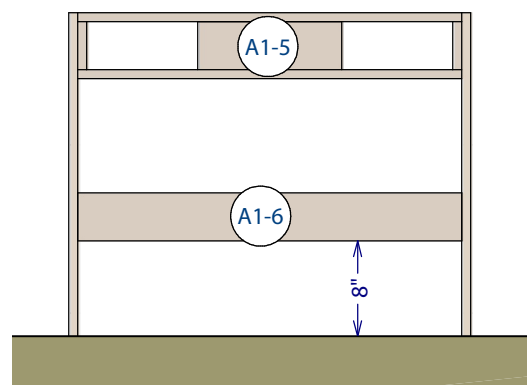
**DESK A1**  
 scale: 3/4 in = 1 ft



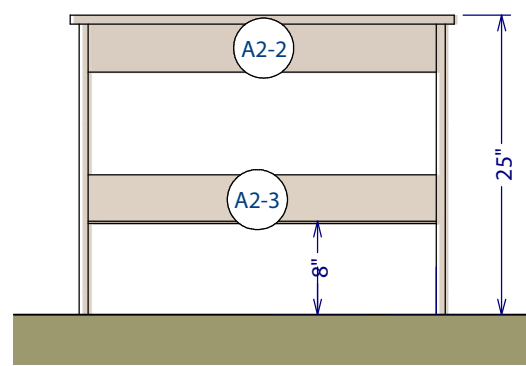
**DESK A2: PLAN VIEW**  
 scale: 3/4 in = 1 ft



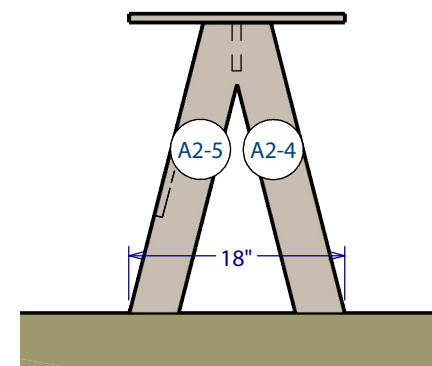
**DESK A1: SIDE ELEVATION**  
 scale: 3/4 in = 1 ft



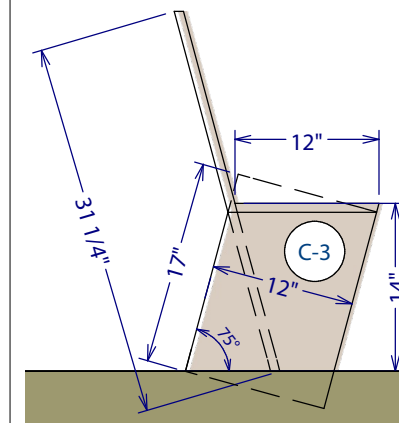
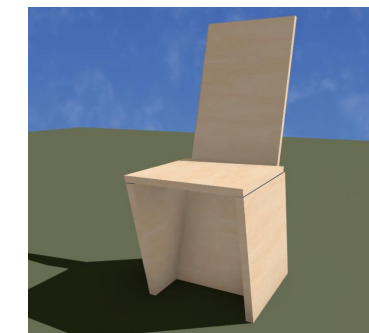
**DESK A1: FRONT ELEVATION**  
 scale: 3/4 in = 1 ft



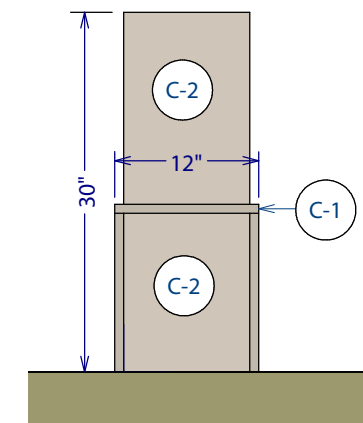
**DESK A2: FRONT ELEVATION**  
 scale: 3/4 in = 1 ft



**DESK A2: SIDE ELEVATION**  
 scale: 3/4 in = 1 ft



**CHAIR SIDE**  
 scale: 3/4 in = 1 ft



**CHAIR FRONT**  
 scale: 3/4 in = 1 ft



Designed by:  
 Patrick Martin / Shawn Serdahl  
 360.746.1396 - patrick@a1designbuild.coop  
 360.746.1419 - shawn2a1designbuild.coop  
 A1DesignBuild  
 3310 Northwest Avenue  
 Bellingham WA 98225

TINY DESKS



Prepared by:  
 Mike Feeney

Date:  
 12/15/2020

Scale:  
 as noted

Sheet:  
**1**